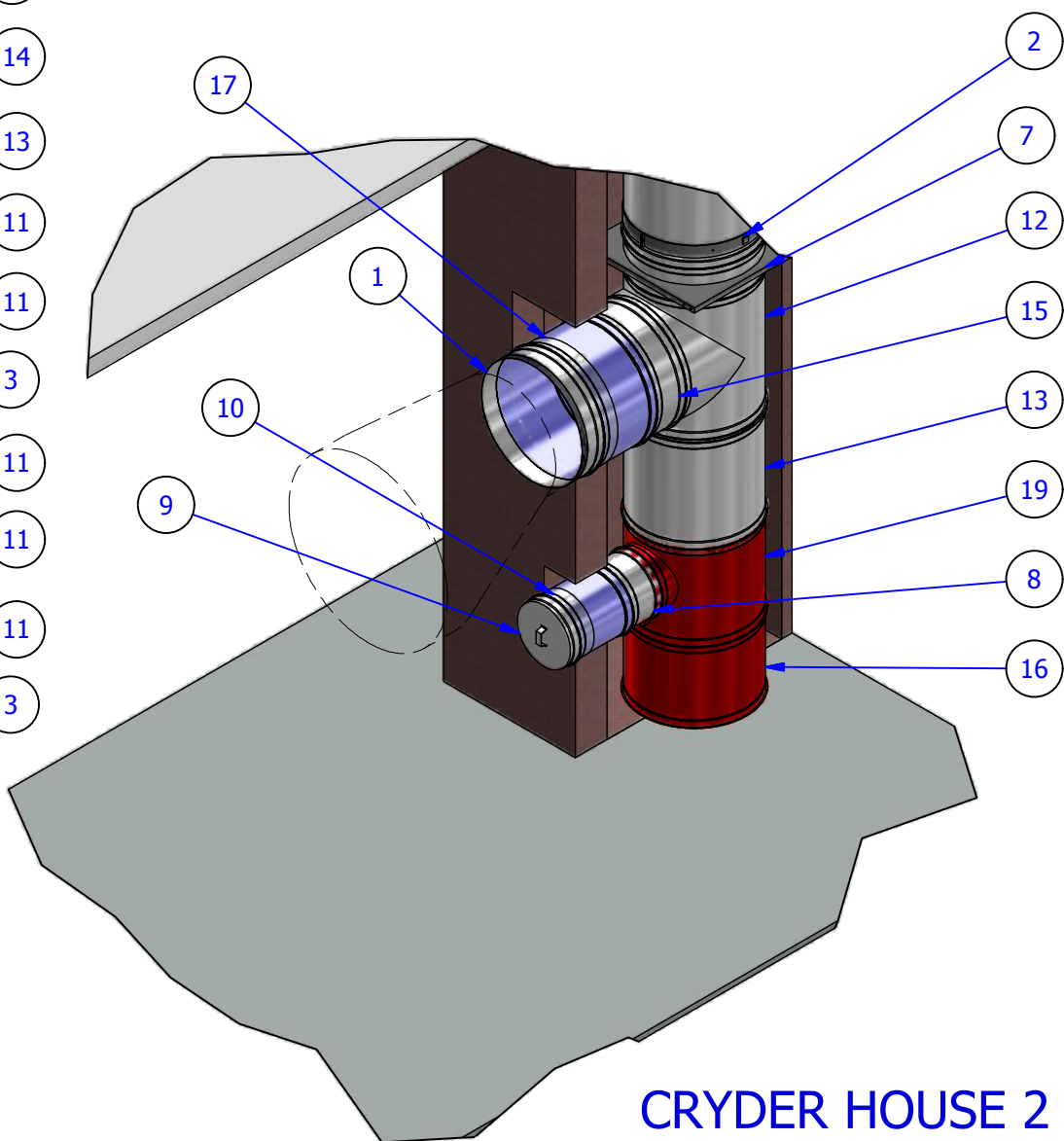
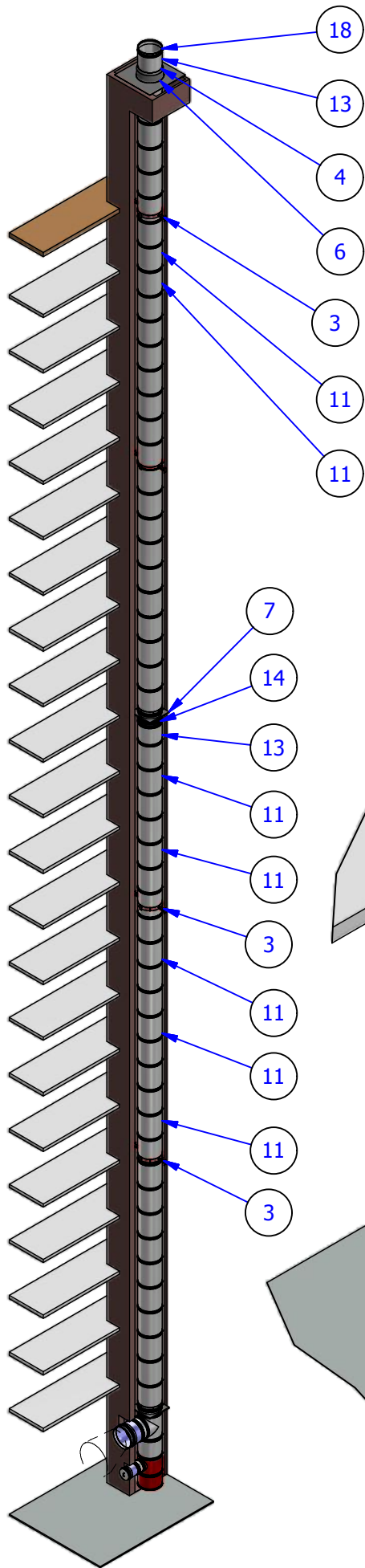
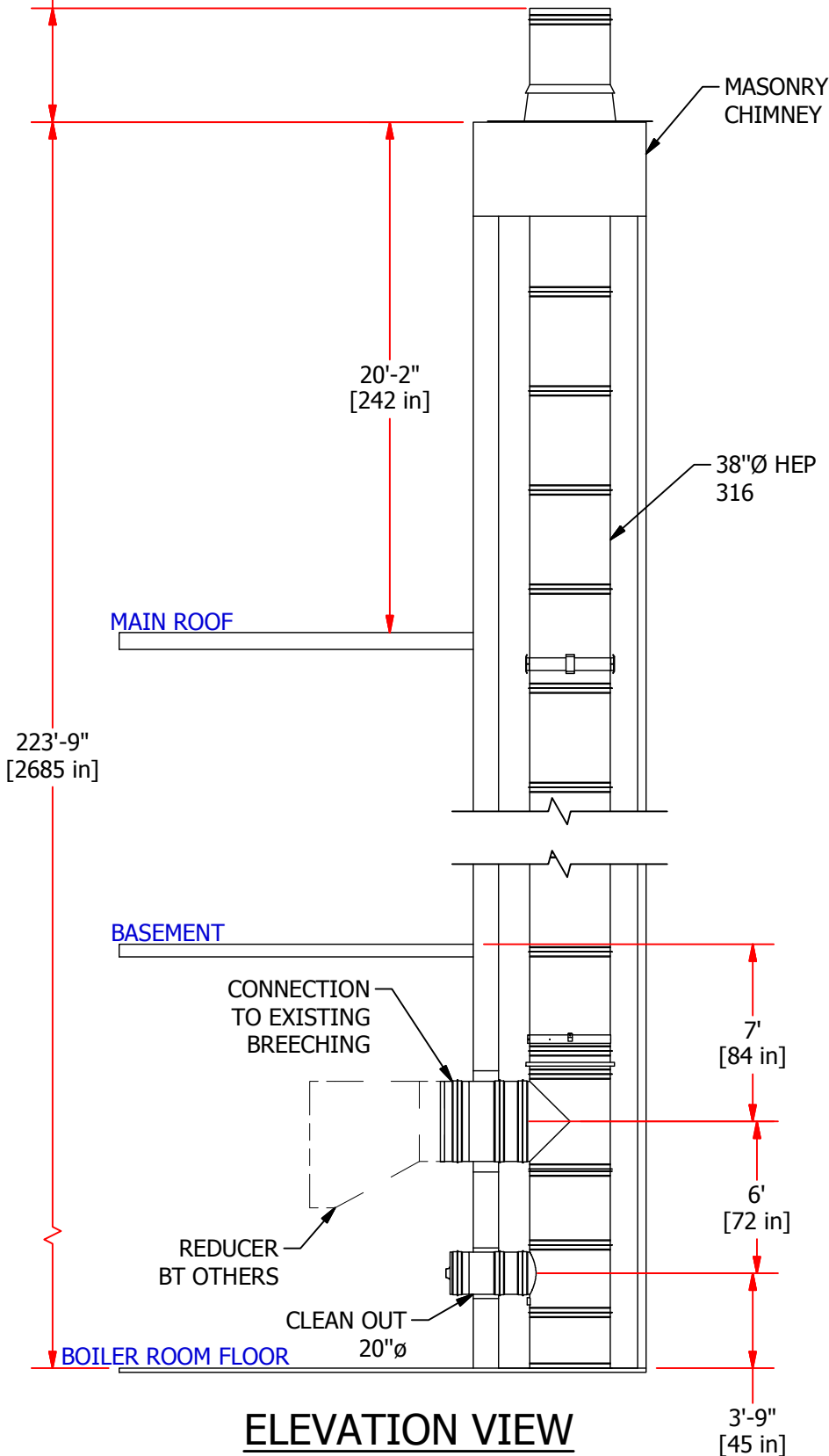


Parts List					
ITEM	QTY	ID	OD	DESCRIPTION	PART NUMBER
1	1			HEPSAS3816	StartingAdapter3865
2	2	--	38 in	LIFTING BAND	HEPLB3816-STD
3	4	--	38 in	GUIDING SPACER	HEPGS3816-STD*
4	1	--	38 in	STORM COLLAR	HEPSC3816-04
5	1	--	38 in	ROOF SUPPORT	HEPRS3816-STD
6	1	--	38 in	FLAT FLASHING	HEPF3816-04
7	2	--	38 in	WALL SUPPORT	HEPWS3816-STD
8	1	20 in	--	12" LENGTH	HEP12L2016
9	1	20 in	--	TEE CAP	HEPTC2016
10	1	20 in	--	ADJUSTABLE LENGTH	HEPAL2016
11	53	38 in	--	48" LENGTH	HEP48L3816
12	1	38 in	--	90° DETACHABLE TEE	HEPDT903816
13	3	38 in	--	36" LENGTH	HEP36L3816
14	1	38 in	--	VARIABLE LENGTH	HEPVL3816
15	1	38 in	--	12" LENGTH	HEP12L3816
16	1	38 in	--	26.5" LENGTH	HEP24L3816*
17	1	38 in	--	ADJUSTABLE LENGTH	HEPAL3816
18	1	38 in	--	CLOSURE SECTION	HEPCS3816
19	1	38 in	--	BASE TEE WITH ANGLE PLATE	HEPBT203816*

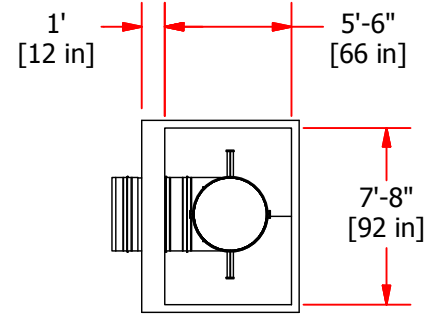


**CRYDER HOUSE 2**

4'-6"  
[54 in]  
(3' MIN.)



**ELEVATION VIEW**



**PLAN VIEW**

3	13/06/20	FOR PRODUCTION	G.D.
2	2013/06/11	FOR APPROVAL	KL
1	2013/05/07	FOR APPROVAL	MM
No.	Date	Revision	By

**HEP CHIMNEY SYSTEM**

Is a prefabricated modular venting system, designed for both quick assembly and pressure tight capacity using a big and small end jointing.

This single-walled chimney system is tested in accordance with UL-1738 and ULC-S636 and carry the appropriate ULC & UL/ULC label.

The maximum continuous operating temperature is 288°C suitable for all type of combustible. This system has been tested up to a 15" water column.

Chimney:

Inner wall : 20 gauge 316 Stainless steel  
Insulation: n/a  
Outer wall : n/a

Chimney	Minimum opening

Project: **CRYDER HOUSE 2**  
16625 POWELLS COVE BLVD  
FLUSHING, NY, 11357-1545  
Tel.: (212)244-5044 Fax: (212)244-4271

Client: **AMERICAIN VENTILATION SERVICES**  
19-19 24th AVENUE  
ASTORIA, NY, 10031  
Tel.: (212)244-5044 Fax: (212)244-4271

Project manager: **Benoit Perron**

Draw. by:	Verif. by:	Appr. by:	Scale:	Date:
SC	B.P.	B.P.	NTS	2013-01-02

Title: **38" Ø HEP 316**

No. Project:	No. Drawing:	Sheet:	Rev.:
29527	29527-A	2 / 6	3

**NOTE:**

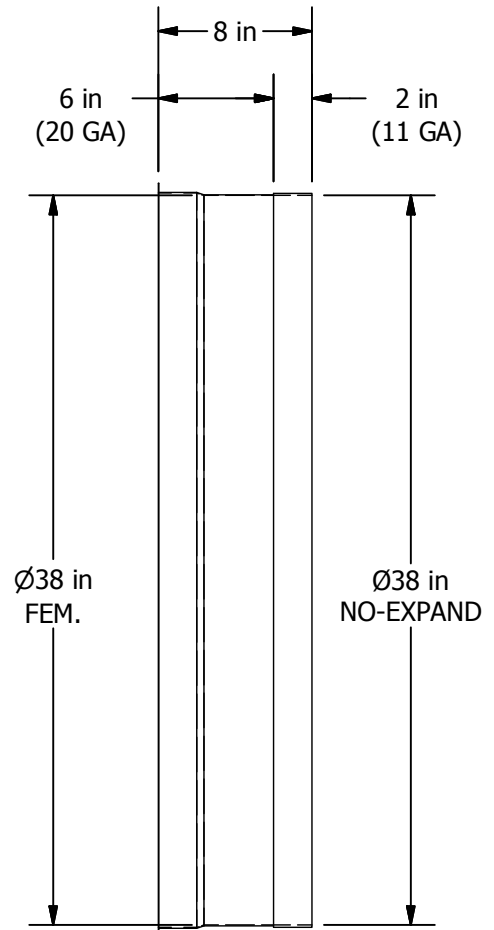
The item(s) contained in this bill of material will be built solely for this job; your PO number: This document must be field verified and/or approved before the order will be entered for manufacturing. Any additional parts not shown on this document will need to be ordered with a different purchase order.

Approval signature: \_\_\_\_\_

Approval date: \_\_\_\_\_



ISOMETRIC VIEW

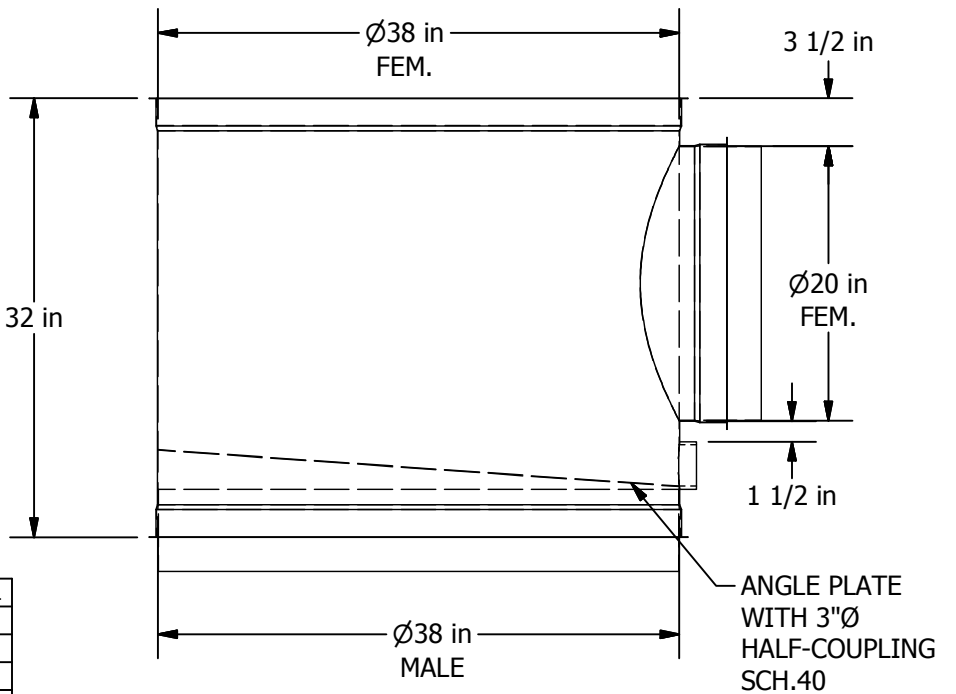


38"Ø SA DETAIL

3	13/06/20	FOR PRODUCTION	G.D.
2	2013/06/11	FOR APPROVAL	KL
1	2013/06/07	FOR APPROVAL	MM
No.	Date de rev.	Revision	Par
QTE:	1		
MATÉRIEL:	316		
TYPE:	HEP		
CALIBRE:	SEE DETAIL		
MACHINE:	EXISTING PIPE		
SORTIE V/H:	HORIZONTAL		



ISOMETRIC VIEW



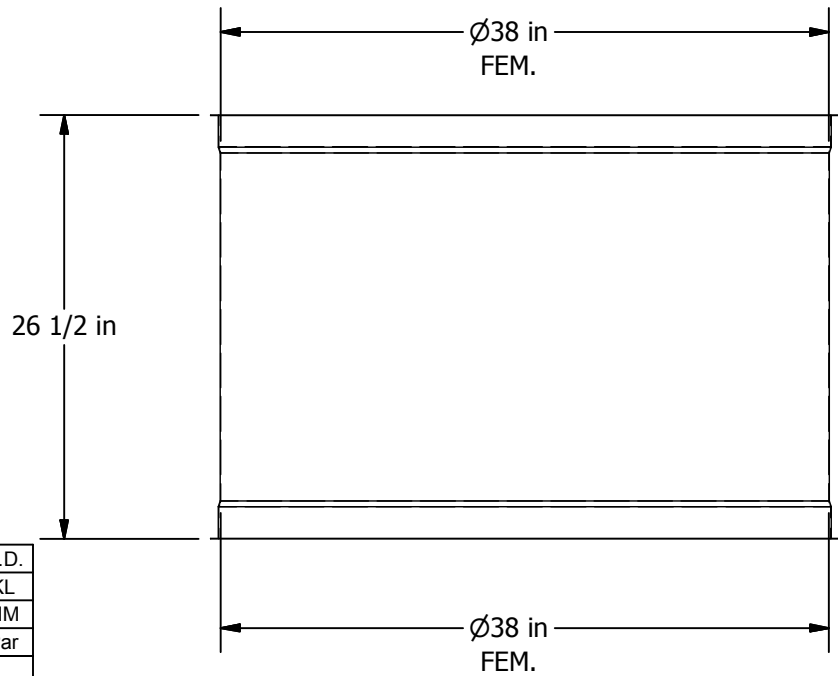
DETACHABLE BASE TEE DETAIL

3	13/06/20	FOR PRODUCTION	G.D.
2	2013/06/11	FOR APPROVAL	KL
1	2013/06/07	FOR APPROVAL	MM
No.	Date de rev.	Revision	Par

QTE:	1
MATÉRIEL:	316
TYPE:	HEP
CALIBRE:	20 GA

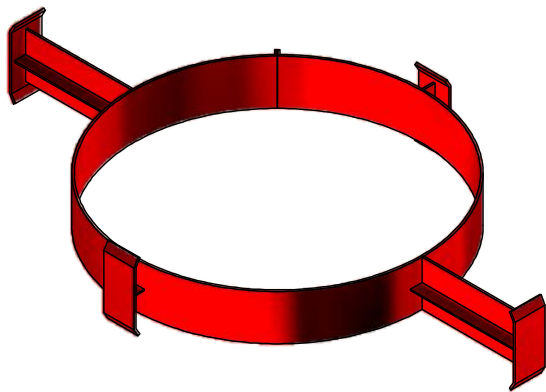


ISOMETRIC VIEW

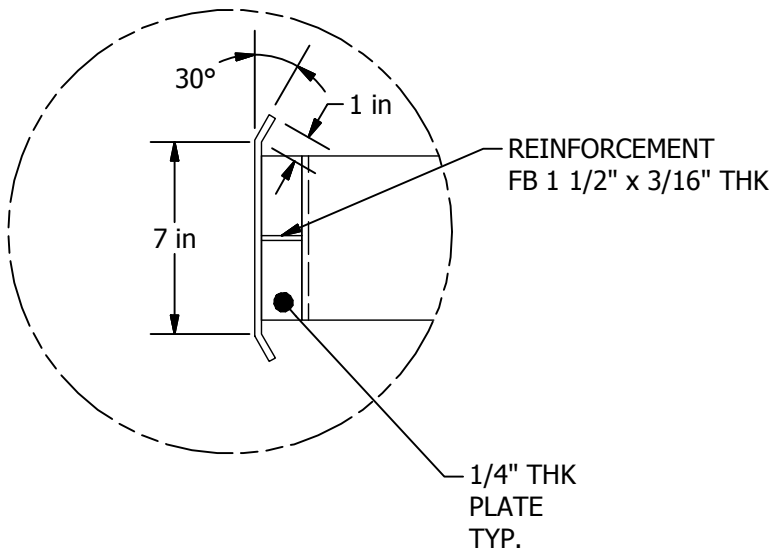
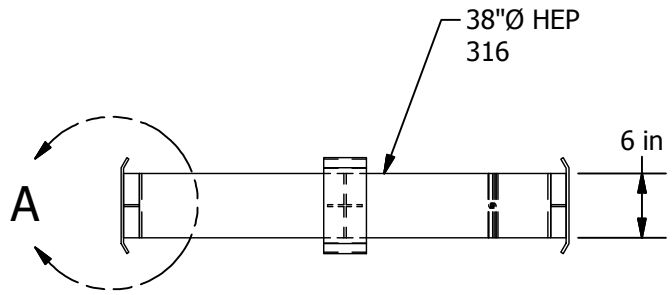


SPECIAL 24L DETAIL

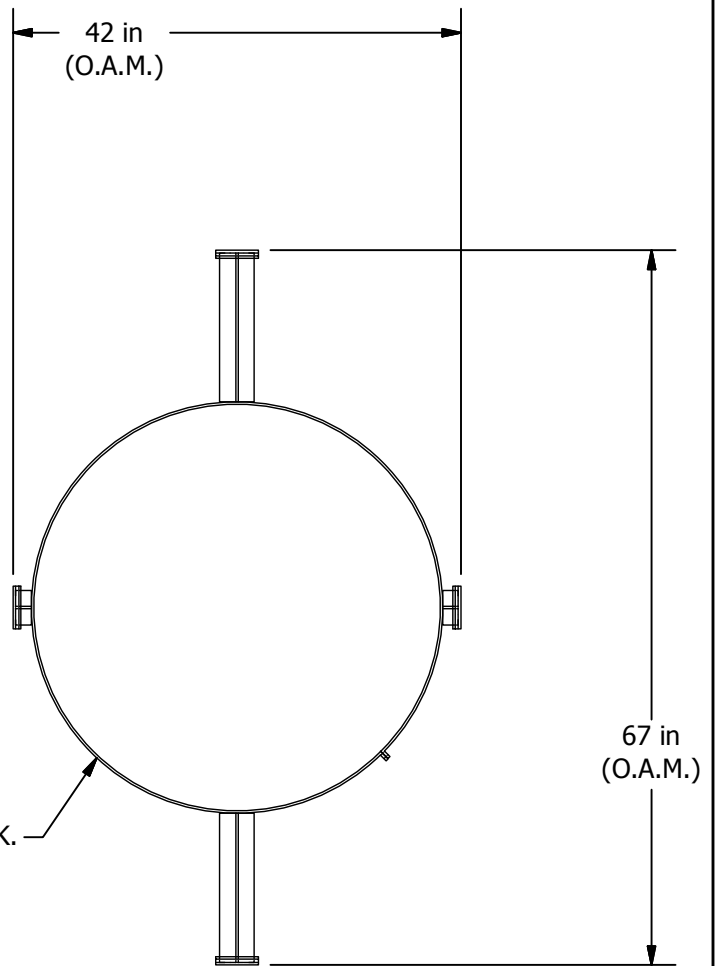
No.	Date de rev.	Revision	Par
3	13/06/20	FOR PRODUCTION	G.D.
2	2013/06/11	FOR APPROVAL	KL
1	2013/06/07	FOR APPROVAL	MM
QTE:		1	
MATÉRIEL:		316	
TYPE:		HEP	
CALIBRE:		20 GA	



**ISOMETRIC VIEW**



**DETAIL A**



**SPECIAL GS DETAIL**

3	13/06/20	FOR PRODUCTION	G.D.
2	2013/06/11	FOR APPROVAL	KL
1	2013/06/07	FOR APPROVAL	MM
No.	Date de rev.	Revision	Par

QTE:	4
MATÉRIEL:	316-STD
TYPE:	HEP
CALIBRE:	SEE DETAIL